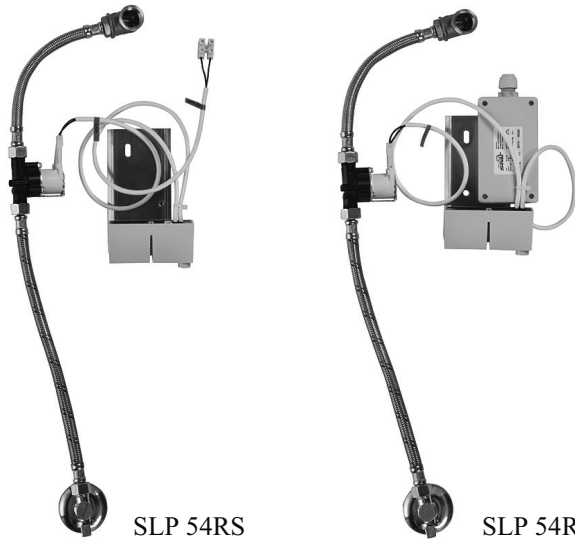


# Radar Flushing Unit for D-Code Urinal SLP 54RS

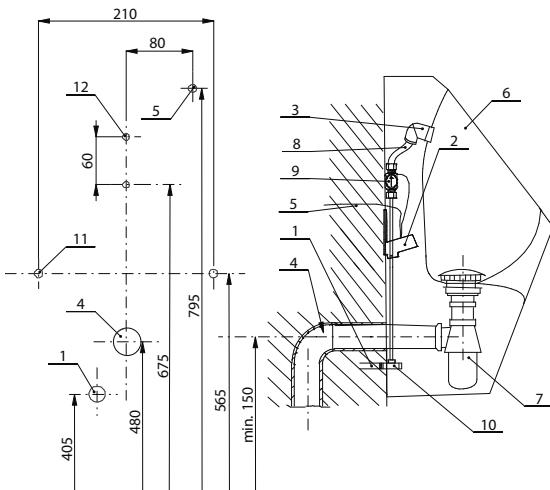


Characteristics: **NEW**

LEED

- **radar flushing unit for urinal D-Code (Duravit)**
- easy installation by the help of paper drill template
- system reacts only on the direct use of the urinal (it analyses changes, which are proceeded inside of the urinal, when a liquid (urine) is flowing through)
- adjustable flushing time from 0,5 to 15,5 seconds
- adjustable minimum use time (min. time of urinal direct using) from 6 to 15 sec.
- parameters adjustment by remote control SLD 04 (without the necessity to dismantle the urinal from the wall)
- automatic flushing after each 6 hours non-use
- possibility to regulate a water flow by the ball stop valve
- radar flushing unit recharges a water to the siphon after each flushing

## Installation Drawing:



- |  |                                    |
|--|------------------------------------|
| 1 - water supply   | 7 - siphon                         |
| 2 - electronics with radar sensor                        | 8 - connecting hose                |
| 3 - inlet fitting with a rubber seal                     | 9 - electromagnetic valve          |
| 4 - waste pipeline Ø 50 mm                               | 10 - angle valve                   |
| 5 - feed cable from the power supply (only for SLP 54RS) | 11 - 2 holes Ø 14 mm for wall plug |
| 6 - ceramic urinal                                       | 12 - 2 holes Ø 8 mm for wall plug  |

## Technical Specification:

Operating voltage	24V DC external
- SLP 54RS	230V AC/ 50Hz
- SLP 54RZ	
Power input	10 W
- operating by 24V DC	
Recommended flow pressure	0,1 - 0,6 MPa
Rate of flow	12 l/min. (inf. data)
Water inlet	male thread G 1/2"
Water outlet	inlet fitting with a rubber seal



SLA 11



SLA 18

## Supply Specification:

- SLP 54RS** – **supply No. 11545** radar flushing unit on the mounting rail; electromagnetic valve (1 pc.); connecting hose;  
**SLP 54RZ** – **supply No. 01545** angle valve with a filter and non-return valve; inlet fitting with a rubber seal; paper drill template; integrated power supply (only for SLP 54RZ); **without siphon**

## Recommended Accessories:

- SLZ 01Y** – **supply No. 05012** external power supply 230/24V DC for operating of max. 5 pcs. of flushing units (see page 118)  
**SLZ 01Z** – **supply No. 05011** external power supply 230/24V DC for operating of max. 9 pcs. of flushing units (see page 118)  
**SLD 04** – **supply No. 07040** remote control for an adjustment of parameters of radar flushing unit and piezo electronics (see page 115)  
**SLR 01L** – **supply No. 08015** mounting frame to the plasterboard for the urinal with radar flushing unit on the mounting rail (see page 116)  
**SLA 11** – **supply No. 06110** universal plastic sieve for urinals (see page 115)  
**SLA 18** – **supply No. 06180** plastic sieve with filling for urinals (see page 115)