

# Stainless Steel Bathroom Floor Drains

## SLKN 03 - SLKN 18



### Characteristics:

#### CHANNEL

- material CrNi 18/10 (AISI -304), thickness 1,2 mm
- length 750, 850, 950, 1150 mm  
(different lengths could be made to order)
- ruff around the channel for connection to hydro-isolation
- mounting legs with M10 screws for better seating of the channel to the floor (horizontal position)
- low installation height
- side bends for better stability
- bond screw for connection with bonding conductor

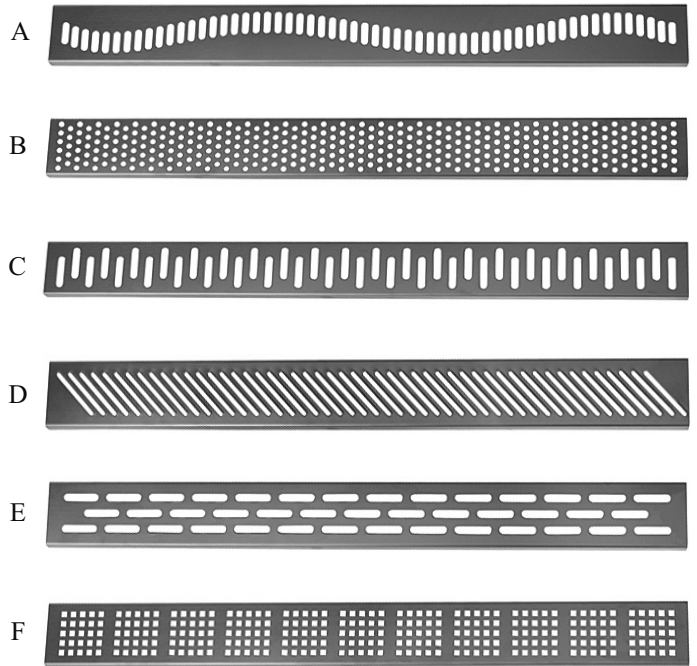
#### WASTE OUTLET

- plastic siphon DN 43 mm (according to the norm DIN EN 274), rate of flow 42 l/min.
- easy to clean
- siphon in the middle of the drain, (different siphon positions could be made to order)

#### GRID

- six basic grid designs
- material CrNi 18/10 (AISI -304), thickness 1,2 mm
- other designed could be made to order
- brushed or polished finish
- grids for tiles insert (SLKN 09, 10, 11, 12)

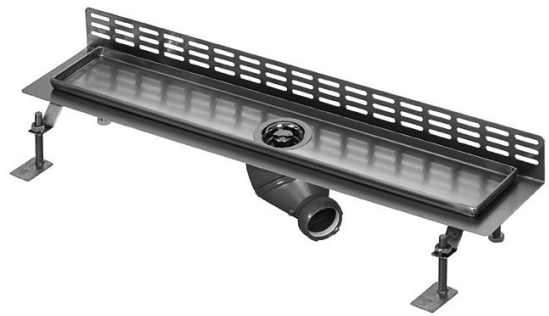
### Grid Designs of SLKN 03 - 08, SLKN 17, 18



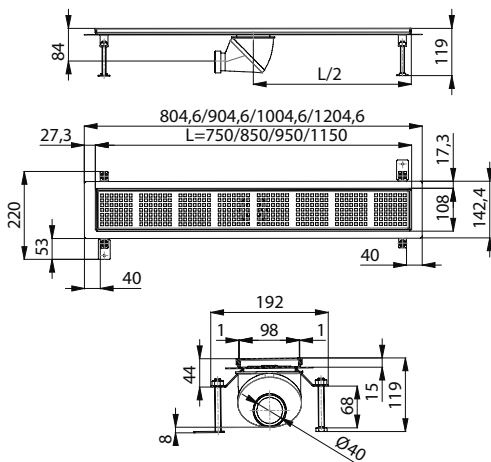
### Drains for open space SLKN 03, 04, 05, 17



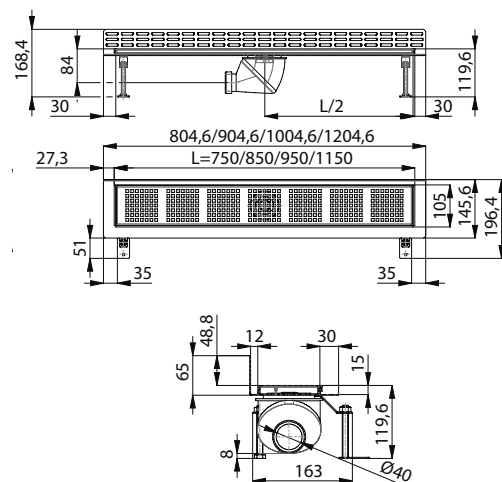
### Drains near by the wall SLKN 06, 07, 08, 18



### Installation Drawing:



### Installation Drawing:



Stainless Steel Bathroom Floor Drains

# Stainless Steel Bathroom Floor Drains

## SLKN 03 - SLKN 18



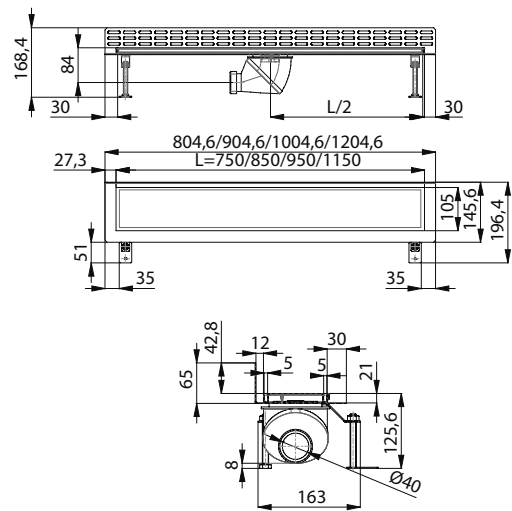
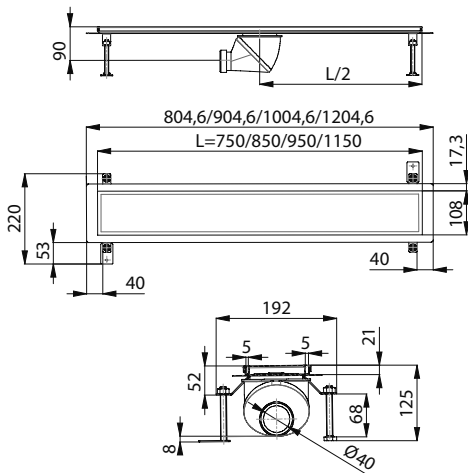
Drains for tiles insert SLKN 09, 10, 11, 12

Drains for tiles near by the wall SLKN 13, 14, 15, 16



Dimensions:

Dimensions:



### Supply Specification:

- SLKN 03 - 08** stainless steel bathroom floor drain with grid, siphon, mounting legs with M10 screws, ruff around the channel
- SLKN 17, 18** for connection to hydro-isolation, bond screw, tool for grid remove
- SLKN 09 - 16** stainless steel bathroom floor drain with grid (for tiles insert, max. height of tiles 12 mm - drain for higher tiles could be made to order), siphon, mounting legs with M10 screws, ruff around the channel for connection to hydro-isolation, bond screw, tool for grid remove

grid designs	length in mm	near by			
		polished	brushed	polished	brushed
	750	SLKN 03A	SLKN 03AX	SLKN 06A	SLKN 06AX
	850	SLKN 17A	SLKN 17AX	SLKN 18A	SLKN 18AX
	950	SLKN 04A	SLKN 04AX	SLKN 07A	SLKN 07AX
	1150	SLKN 05A	SLKN 05AX	SLKN 08A	SLKN 08AX
	750	SLKN 03B	SLKN 03BX	SLKN 06B	SLKN 06BX
	850	SLKN 17B	SLKN 17BX	SLKN 18B	SLKN 18BX
	950	SLKN 04B	SLKN 04BX	SLKN 07B	SLKN 07BX
	1150	SLKN 05B	SLKN 05BX	SLKN 08B	SLKN 08BX
	750	SLKN 03C	SLKN 03CX	SLKN 06C	SLKN 06CX
	850	SLKN 17C	SLKN 17CX	SLKN 18C	SLKN 18CX
	950	SLKN 04C	SLKN 04CX	SLKN 07C	SLKN 07CX
	1150	SLKN 05C	SLKN 05CX	SLKN 08C	SLKN 08CX
	750	SLKN 03D	SLKN 03DX	SLKN 06D	SLKN 06DX
	850	SLKN 17D	SLKN 17DX	SLKN 18D	SLKN 18DX
	950	SLKN 04D	SLKN 04DX	SLKN 07D	SLKN 07DX
	1150	SLKN 05D	SLKN 05DX	SLKN 08D	SLKN 08DX
	750	SLKN 03E	SLKN 03EX	SLKN 06E	SLKN 06EX
	850	SLKN 17E	SLKN 17EX	SLKN 18E	SLKN 18EX
	950	SLKN 04E	SLKN 04EX	SLKN 07E	SLKN 07EX
	1150	SLKN 05E	SLKN 05EX	SLKN 08E	SLKN 08EX
	750	SLKN 03F	SLKN 03FX	SLKN 06F	SLKN 06FX
	850	SLKN 17F	SLKN 17FX	SLKN 18F	SLKN 18FX
	950	SLKN 04F	SLKN 04FX	SLKN 07F	SLKN 07FX
	1150	SLKN 05F	SLKN 05FX	SLKN 08F	SLKN 08FX