

Radar Flushing Unit for Roca Zoom Urinal SLP 35S, SLP 35RS (with Ceramics)



SLP 35Z



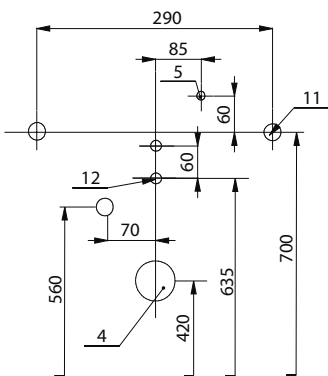
SLP 35RS

Characteristics:

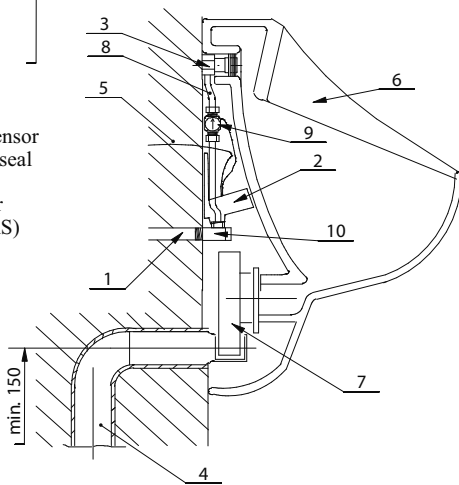


- economy flushing by 1 liter of water
- SLP 35S (35Z, 35B) - radar flushing unit for Roca Zoom / Inker urinal
- SLP 35RS (35RZ, 35RB) - ceramic urinal Roca Zoom / Inker with radar flushing unit
- easy installation by the help of paper drill template
- hidden behind the ceramics
- system reacts only on the direct use of the urinal (it analyses changes, which are proceeded inside of the urinal, when a liquid (urine) is flowing through)
- adjustable flushing time from 0,5 to 15,5 sec.
- adjustable minimum use time (min. time of urinal direct using) from 6 to 15 sec.
- parameters adjustment by SLD 04 remote control (without the necessity to dismantle the urinal from the wall)
- automatic flushing after each 6 hours non-use
- possibility to regulate a water flow by the ball stop valve
- radar flushing unit recharges a water to the siphon after each flushing

Installation Drawing:



- 1 - water supply
- 2 - electronics with a radar sensor
- 3 - inlet fitting with a rubber seal
- 4 - waste pipeline Ø 50 mm
- 5 - feed cable from the power supply (only for SLP 36RS)
- 6 - ceramic urinal
- 7 - siphon
- 8 - connecting hose
- 9 - electromagnetic valve
- 10 - angle valve
- 11 - 2 holes Ø 14 mm for wall plug
- 12 - 2 holes Ø 8 mm for wall plug



Technical Specification:

Operating voltage

- SLP 35S, 35RS
- SLP 35Z, 35RZ
- SLP 35B, 35RB

24V DC external
230V AC/50Hz
6V

Power input

- operating by 24V DC
- operating by 6V

5 W
1,4 W

Recommended flow pressure

0,1 - 0,6 MPa

Rate of flow

12 l/min. (inf. data)

Water inlet

male thread G 1/2"

Water outlet

inlet fitting with a sealing



SLA 11



SLA 18

Supply Specification:

- | | | |
|-----------------|--------------------|--|
| SLP 35S | - supply No. 11351 | radar flushing unit on the mounting rail for Roca Zoom / Inker urinal; electromagnetic valve (1 pc.); connecting hoses; angle valve with a filter; inlet fitting with a rubber seal; |
| SLP 35Z | - supply No. 01351 | siphon; paper drill template; integrated power supply (only for SLP 35Z); |
| SLP 35B | - supply No. 11356 | 4 pcs. of alkaline batteries AA 1,5 V, 2700 mAh (only for SLP 35B); mounting set |
| SLP 35RS | - supply No. 11355 | ceramic urinal; mounting rail with a radar flushing unit; electromagnetic valve (1 pc.); |
| SLP 35RZ | - supply No. 01355 | connecting hoses; angle valve with a filter; inlet fitting with a rubber seal; |
| SLP 35RB | - supply No. 11357 | siphon; paper drill template; integrated power supply (only for SLP 35RZ); |
| | | 4 pcs. of alkaline batteries AA 1,5 V, 2700 mAh (only for SLP 35RB); mounting set |

Recommended Accessories:

- | | | |
|----------------|--------------------|--|
| SLZ 01Y | - supply No. 05012 | external power supply 230/24V DC for operating of max. 5 pcs. of flushing units (page 118) |
| SLZ 01Z | - supply No. 05011 | external power supply 230/24V DC for operating of max. 9 pcs. of flushing units (page 118) |
| SLD 04 | - supply No. 07040 | remote control for a parameter's adjustment (see page 115) |
| SLA 11 | - supply No. 06110 | universal plastic sieve for urinals (see page 115) |
| SLA 18 | - supply No. 06180 | universal plastic sieve with filling for urinals (see page 115) |
| SLR 01L | - supply No. 08015 | mounting frame to the plasterboard for the urinal with radar flushing unit on the mounting rail (see page 116) |